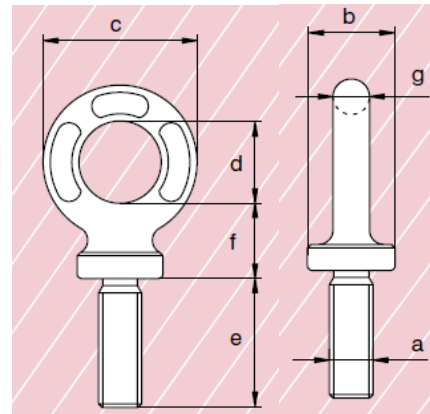




## Stainless steel eye bolt type ALI

- **Material** : AISI 316L
- **Safety factor** : MBL equals 5 x WLL
- **Finish** : polished
- **Certification** : at no extra charge this product can be supplied with a works certificate, a 3.1 certificate and/or EC Declaration of Conformity



partnumber	working load limit	diameter thread	diameter base	diameter eye outside	diameter eye inside	length	thickness base	diameter	weight each
	<b>t</b>	<b>a</b>	<b>b</b>	<b>c</b>	<b>d</b>	<b>e</b>	<b>f</b>	<b>g</b>	
		mm	mm	mm	mm	mm	mm	mm	kg
AL08I	0.2	M 8	20	34	20	24	17	7	0.05
AL10I	0.4	M10	20	38	22	30	19	8	0.08
AL12I	0.6	M12	25	47	26	36	23	10	0.14
AL14I	0.8	M14	30	57	29	40	28	14	0.26
AL16I	1	M16	36	65	35	55	30	14	0.37
AL18I	1.5	M18	36	65	35	55	30	14	0.38
AL20I	2	M20	40	73	39	59	34	16	0.58
AL22I	2.5	M22	42	82	44	64	38	19	0.74
AL24I	3	M24	55	95	54	84	40	20	1.12