



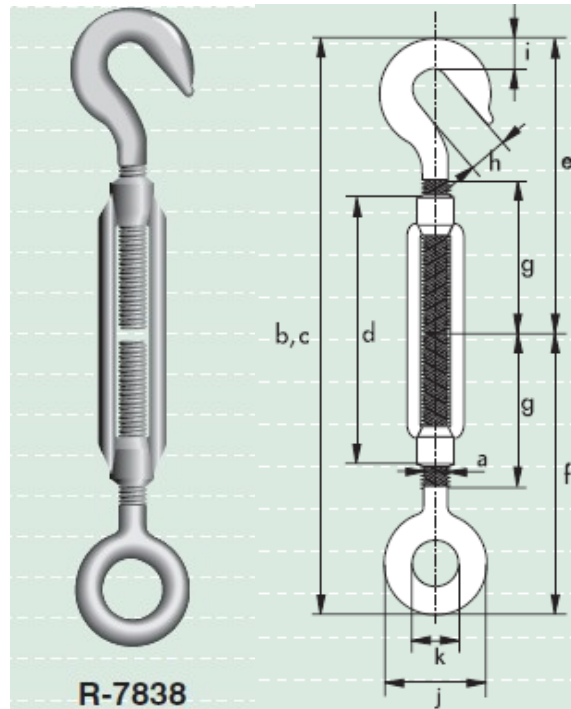
Kinotech Industry

Galati - Romania
 TEL./FAX: 0236-466.372
 TEL./FAX: 0236-313.013

www.kinotech.ro
 E-mail: office@kinotech.ro
 Mobil: 0768-463.636
 Mobil: 0723-694.919
 Mobil: 0765-998.277
 Mobil: 0766-360.062

Intinzator inox ochi-carlig R-7838

- Material : AISI 316
- Produs finit : Polisat



Tabel cu dimensiuni

diameter thread	length closed position	length open position	length	length	length	length	length	opening hook	thickness	outside diameter eye	inside diameter eye	weight per pce
a	b	c	d	e	f	g	h	i	j	k		kg
mm	mm	mm	mm	mm	mm	mm	mm	mm	mm	mm	mm	
M 5	110	165	70	55	55	40	6	13	16	7	0.04	
M 6	172	258	110	77	80	55	8	15	20	9	0.11	
M 8	184	264	110	85	84	57	10.5	15	22	10	0.2	
M 10	222	311	125	106	105	68	13	11	31	14	0.28	
M 12	241	324	125	117	111	70	16	13	35	16	0.43	
M 16	311	427	170	144	150	88	20	17	47	22	1	
M 20	358	490	200	170	167	105	21	21	52	24	1.6	